

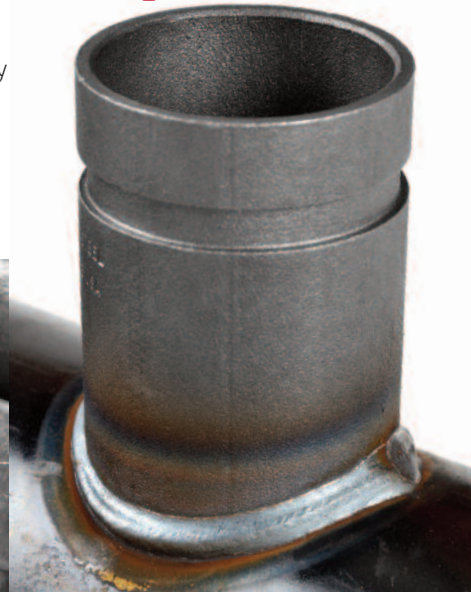
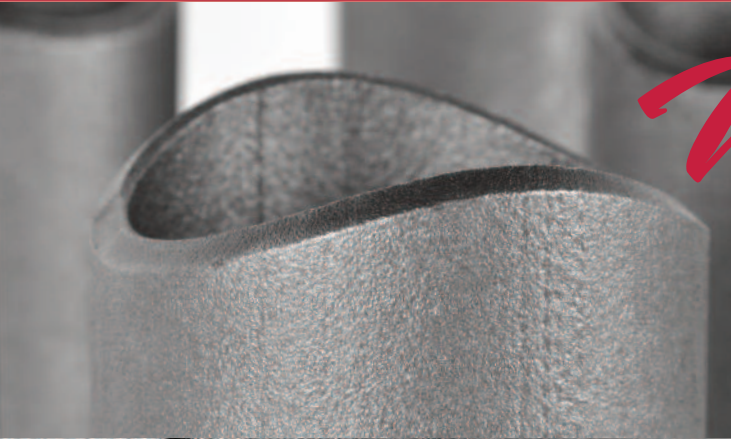
Whizweld® BRANCHLET® WELDING OUTLET

- **A WELDING OUTLET FITTING RATED FOR 300 PSI** and up to 500 psi for non-fire sprinkler applications.
- **QUALIFIED** to be welded on various proprietary thin wall flow pipe as well as industry standard pipe schedules 10 and 40.
- **CLEANED & PROTECTED.** Shot blasted and/or washed to reduce weld porosity thereby improving job quality and lowering fabrication costs. Coated with a proprietary smokeless non-flash rust inhibitor for improved shelf life.
- **MATERIAL SAVING.** The Whizweld® bevel design reduces the amount of weld material needed.
- **UL LISTED** in accordance to UL 213B with qualifying tests up to 1500psi.
- **FM APPROVED** in accordance to FM Class 1920 with qualifying tests up to 1200psi.
- **PRECISION MANUFACTURED** from highly weldable carbon steel conforming to ASTM 1010, A-53, A135 or A795. The contour, threaded and/or grooved ends are produced on automated precision equipment for superior dimensional accuracy and quality consistency.
- **FULLY TRACEABLE** with complete identifying marks including a lot number for full material traceability and overall quality assurance.
- **THREADED OR GROOVED.** Outlets are available with ANSI B1.20.1 NPT threads or Vic OGS cut or roll grooves.



Whizweld®

The **Whizweld®** bevel design sits squarely on the header for unproblematic one pass welds on automatic welding equipment. Furthermore, the inside diameter is sized to insure the welding cone fits without obstruction.



319 Circle of Progress
Pottstown, Pennsylvania 19464-3811 USA
Tel (610)676.0300 Fax (610)676.0383

Additional details and installation instructions at AegisTechnologiesInc.com/Branchlet

AUTHORIZED DISTRIBUTOR

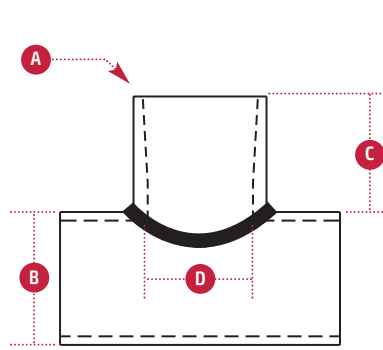
Whizweld® BRANCHLET®

WELDING OUTLET

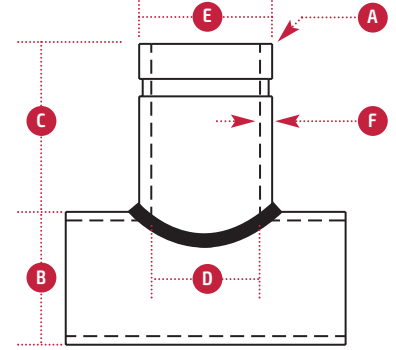


PART #	OUTLET		HEADER		OUTLET LENGTH	INSIDE DIA.	WEIGHT	BOX QUANTITY
	A	B	C	D				
TYPE 3F THREADED	IN	IN	IN	IN	IN	LBS		
90300512	0.5	x	1.25 - 1.5	1.0625	0.7	0.18	325	
90300515			1.5 - 2	1.0625	0.7	0.18	325	
90300520			2 - 2.5	1.0625	0.7	0.18	325	
90300525			2.5 - 8	1.0625	0.7	0.18	325	
90300712	0.75	x	1.25 - 1.5	1.125	0.9	0.3	200	
90300715			1.5 - 2	1.125	0.9	0.3	200	
90300720			2 - 2.5	1.125	0.9	0.3	200	
90300725			2.5 - 8	1.125	0.9	0.3	200	
90301012	1	x	1.25 - 1.5	1.25	1.145	0.44	125	
90301015			1.5 - 2	1.25	1.145	0.44	125	
90301020			2 - 2.5	1.25	1.145	0.44	125	
90301025			2.5 - 3	1.25	1.145	0.44	125	
90301030			3 - 4	1.25	1.145	0.44	125	
90301050			5 - 8	1.25	1.145	0.44	125	

TYPE 3F
THREADED OUTLET



TYPE 3G & 3RG
GROOVED OUTLET



PART #	OUTLET		HEADER		OUTLET LENGTH	INSIDE DIAMETER			OUTSIDE DIAMETER		WALL THICKNESS		WEIGHT		BOX QUANTITY
	SCH 40 TYPE 3G CUT GRVD	SCH 10 TYPE 3RG ROLL GRVD	A IN	NOMINAL B IN		C IN	SCH 40 D IN	SCH 10 IN	E IN	SCH 40 F IN	SCH 10 IN	SCH 40 LBS	SCH 10 LBS		
90351212			1.25	x	1.25	3	1.380		1.660	0.140		0.6		80	
90351215					1.5	3	1.380		1.660	0.140		0.6		80	
90351220					2 - 2.5	3	1.380		1.660	0.140		0.6		80	
90351225					2.5	3	1.380		1.660	0.140		0.6		80	
90351230					3 - 4	3	1.380		1.660	0.140		0.6		80	
90351240					4	3	1.380		1.660	0.140		0.6		80	
90351250					5 - 8	3	1.380		1.660	0.140		0.6		80	
90351515			1.5	x	1.5	3	1.610		1.900	0.145		0.7		50	
90351520					2	3	1.610		1.900	0.145		0.7		50	
90351525					2.5	3	1.610		1.900	0.145		0.7		50	
90351530					3 - 4	3	1.610		1.900	0.145		0.7		50	
90351540					4	3	1.610		1.900	0.145		0.7		50	
90351550					5 - 8	3	1.610		1.900	0.145		0.7		50	
90352020			2	x	2	3	2.067		2.375	0.154		1.0		30	
90352025					2.5	3	2.067		2.375	0.154		1.0		30	
90352030					3	3	2.067		2.375	0.154		0.9		30	
90352040					4	3	2.067		2.375	0.154		0.9		30	
90352060					6	3	2.067		2.375	0.154		0.9		30	
90352080					8	3	2.067		2.375	0.154		0.9		30	
90352525	90372525		2.5	x	2.5	3	2.469	2.635	2.875	0.203	0.120	1.5	1.0	20	
90352530	90372530				3	3	2.469	2.635	2.875	0.203	0.120	1.5	1.0	20	
90352540	90372540				4	3	2.469	2.635	2.875	0.203	0.120	1.5	1.0	20	
90352560	90372560				6	3	2.469	2.635	2.875	0.203	0.120	1.5	1.0	20	
90352580	90372580				8	3	2.469	2.635	2.875	0.203	0.120	1.4	1.0	20	
90353030	90373030		3	x	3	3	3.068	3.260	3.500	0.216	0.120	2.0	1.2	15	
90353040	90373040				4	3	3.068	3.260	3.500	0.216	0.120	2.0	1.2	15	
90353060	90373060				6	3	3.068	3.260	3.500	0.216	0.120	1.9	1.2	15	
90353080	90373080				8	3	3.068	3.260	3.500	0.216	0.120	1.9	1.2	15	
90354040	90374040		4	x	4	4	4.026	4.260	4.500	0.237	0.120	4.0	2.1	10	
90354060	90374060				6	4	4.026	4.260	4.500	0.237	0.120	3.8	2.1	10	
90354080	90374080				8	4	4.026	4.260	4.500	0.237	0.120	3.8	2.1	10	
90356060	90376060		6	x	6	4	6.065	6.357	6.625	0.280	0.134	8.0	3.8	4	
90356080	90376080				8	4	6.065	6.357	6.625	0.280	0.134	8.0	3.8	4	
90358080	90378080		8	x	8	4	7.981	8.329	8.625	0.322	0.148	10.0	6.2	2	



319 Circle of Progress, Pottstown, Pennsylvania 19464-3811 USA Tel: (610)676.0300 Fax: (610)676.0383 AegisTechnologiesInc.com